

Shower head FlowReduce - Chrome

IMO

28 508 980

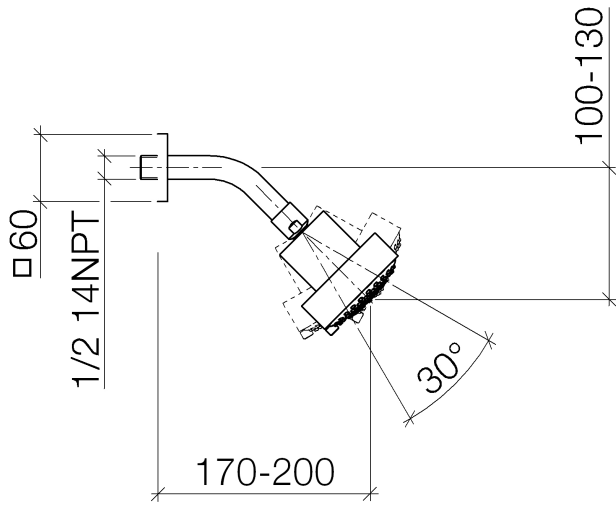


Fits: IMO, MEM, CL.1, CYO

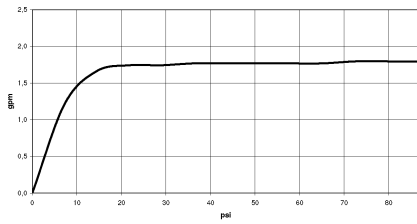
- 200mm projection
- ball-joint pivotable through 30°
- Three settings: PURIFY RAIN, COMPACT SOFT FLOW, COMPACT AQUAPRESSURE FLOW, max. flow rate 6.8 l/min (at 3 bar)
- with anti-scale system
- spray head Ø 92mm
- rosette 60 x 60 mm
- 1/2" connection
- This product reduces water consumption by % (compared to requirements of EAct '92)
- This product can contribute to Water Use Reduction in LEED® Green Building Rating
- This product can help a building meet the requirements of Green Building Rating Systems, e.g. LEED®, BREEAM®, DGNB

	Chrome	28 508 980-00 0010
	Brushed Platinum	28 508 980-06 0010
	Platinum	28 508 980-08 0010
	Dark Chrome	28 508 980-19 0010
	Brushed Light Gold	28 508 980-27 0010
	Brushed Durabronze (23kt Gold)	28 508 980-28 0010
	Matte Black	28 508 980-33 0010
	Brushed Champagne (22kt Gold)	28 508 980-46 0010
	Champagne (22kt Gold)	28 508 980-47 0010
	Brushed Chrome	28 508 980-93 0010
	Brushed Dark Platinum	28 508 980-99 0010

28 508 980



Flow rate chart



Codes & Standards

ASME
A112.18.1/CSA
B125.1

California Energy
Commission
(CEC)

Water Sense





Shower head FlowReduce - Chrome

IMO

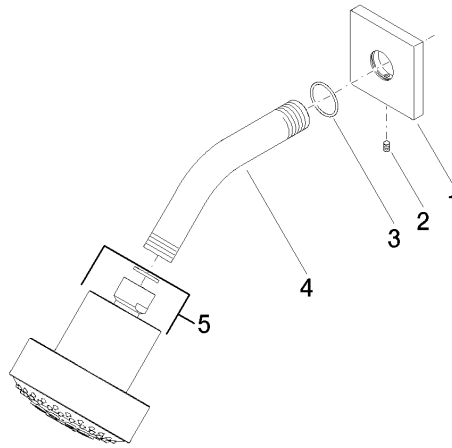
28 508 980

Certificates

IAPMO_11777. IAPMO_4976 (3). LGA_38653.

28 508 980

Parts for other finishes can be found here: [Brushed Platinum](#)



Spare parts list

No.	Item Number	Name	Quantity used	Delivery time
1	09 27 98 003-00	rosette	1	10
2	09 31 11 048 90	pin	1	2
3	09 14 10 098 90	seal	1	2
4	09 11 03 011-00	connection	1	10
5	04 12 11 110 30-00	shower	1	10